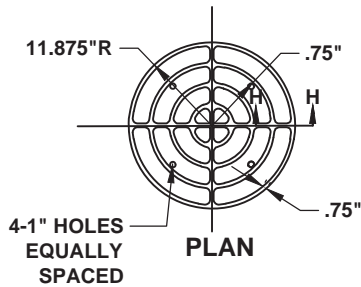


PLAN

C.I. RING
APPROX. WT.
= 78 LBS.

ELEVATION

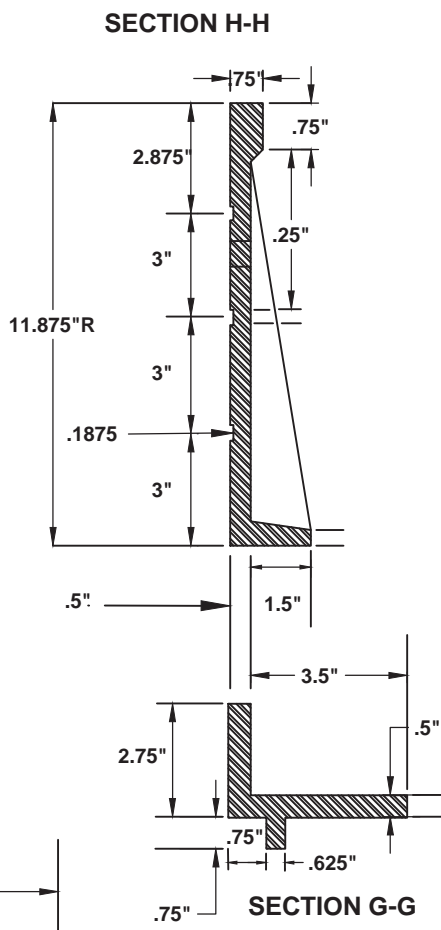


4-1" HOLES
EQUALLY
SPACED

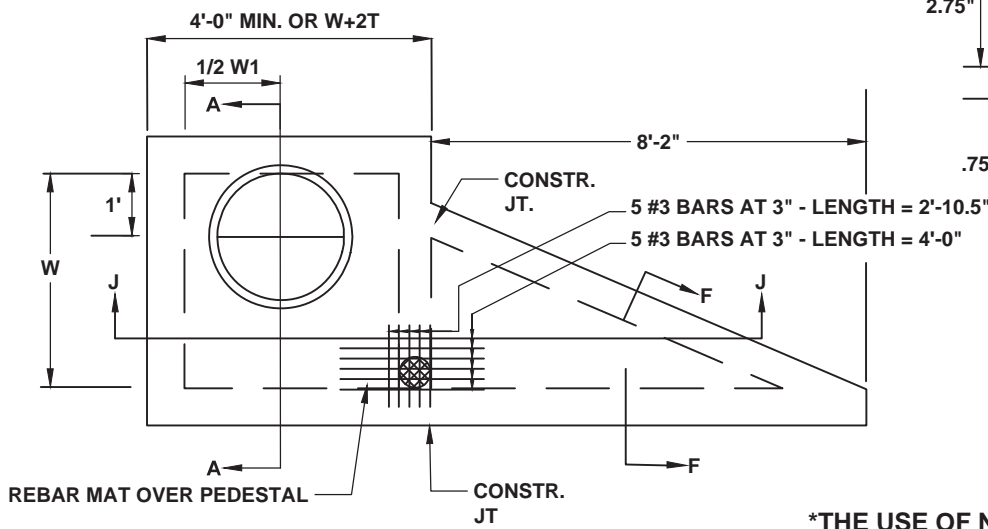
PLAN

C.I. COVER
APPROX. WT.
= 63 LBS.

ELEVATION



CASTING DETAILS



**CATCH BASIN
(WITH PROTRUDED BACK)
PARTIAL PLAN**

*THE USE OF NO.1 CHAIRS (12) IS
REQUIRED TO HOLD REBAR MAT
EVENLY.



LATEST REVISION
03/17/2020

CITY OF CUMMING
DEPARTMENT OF UTILITIES
CATCH BASIN DETAILS
CAST-IN-PLACE

DETAIL NUMBER:
SW-7B

SCALE: NOT TO SCALE