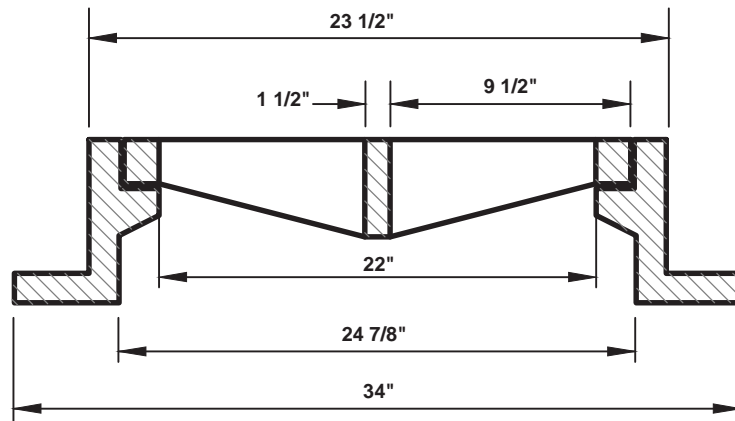
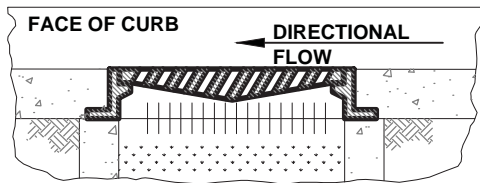


**LONGITUDINAL SECTION**



**CROSS SECTION**



**NOTES:**

1. MINIMUM WEIGHT OF INLET GRATE AND FRAME SHALL BE 550 LB.
2. GRATE AND FRAME SHALL MEET ASTM A-48-74, CLASS 30



LATEST REVISION

03/17/2020

**CITY OF CUMMING**

DEPARTMENT OF UTILITIES

**BICYCLE SAFETY  
GRATE AND FRAME**

DETAIL NUMBER:

**SW-14A**

SCALE: NOT TO SCALE