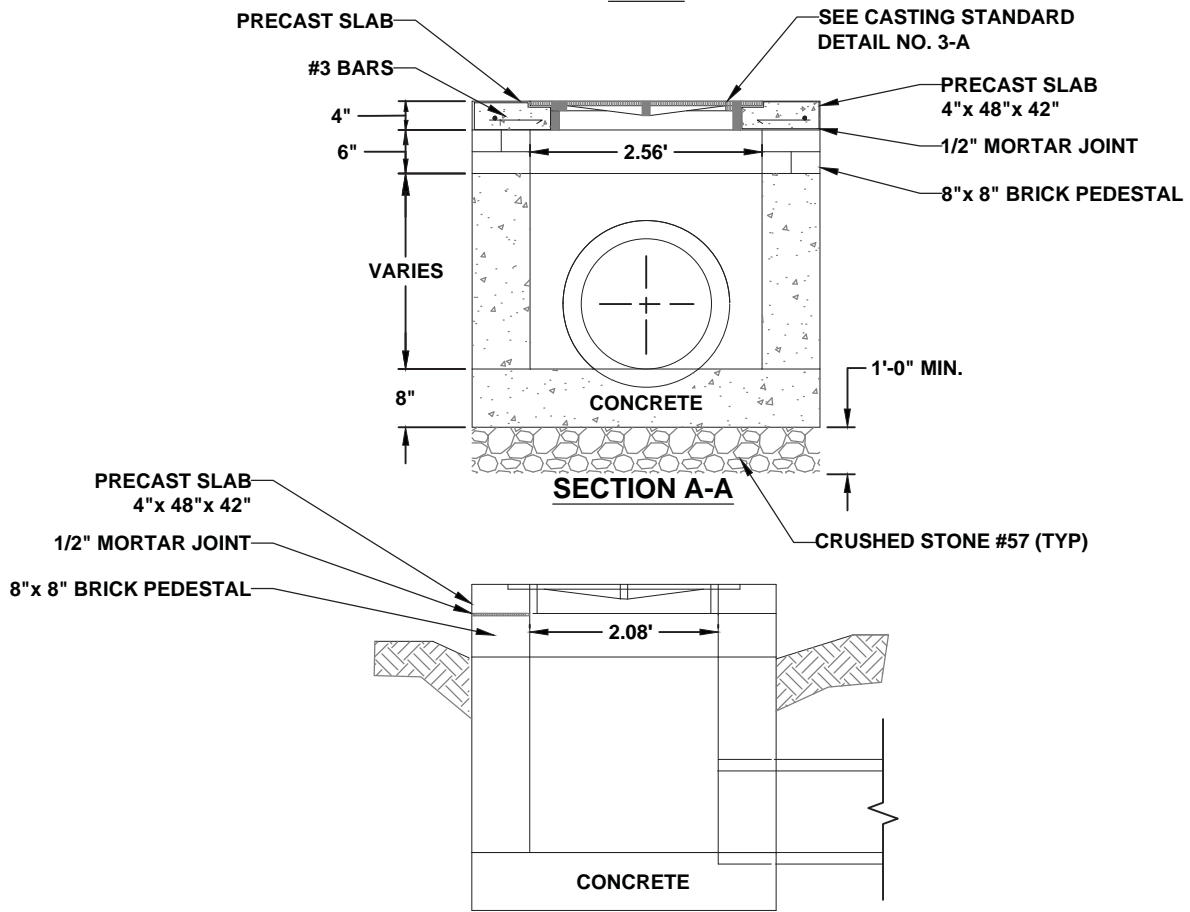


PLAN



SECTION A-A

ELEVATION

NOTE:
NOT FOR USE IN PUBLIC RIGHT-OF-WAY



LATEST REVISION

03/17/2020

CITY OF CUMMING

DEPARTMENT OF UTILITIES

DROP INLET - PEDESTAL TOP AND WEIR

DETAIL NUMBER:

SW-13

SCALE: NOT TO SCALE