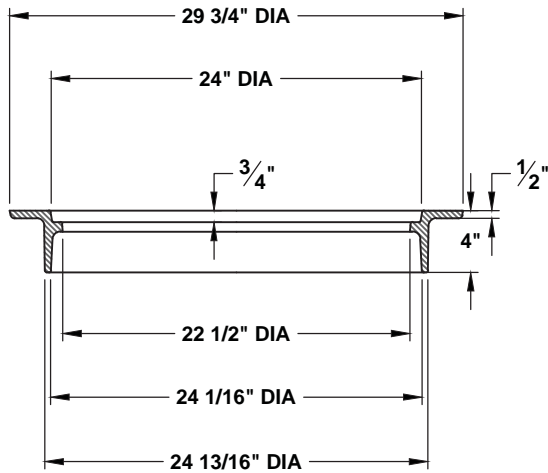
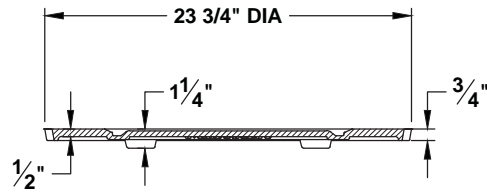


OPEN PICKHOLE DETAIL

PLAN VIEW



FRAME SECTION



COVER SELECTION



LATEST REVISION

03/17/2020

**CITY OF CUMMING**

DEPARTMENT OF UTILITIES

**JUNCTION BOX LID  
AND COVER**

DETAIL NUMBER:

**SW-1**

SCALE: NOT TO SCALE