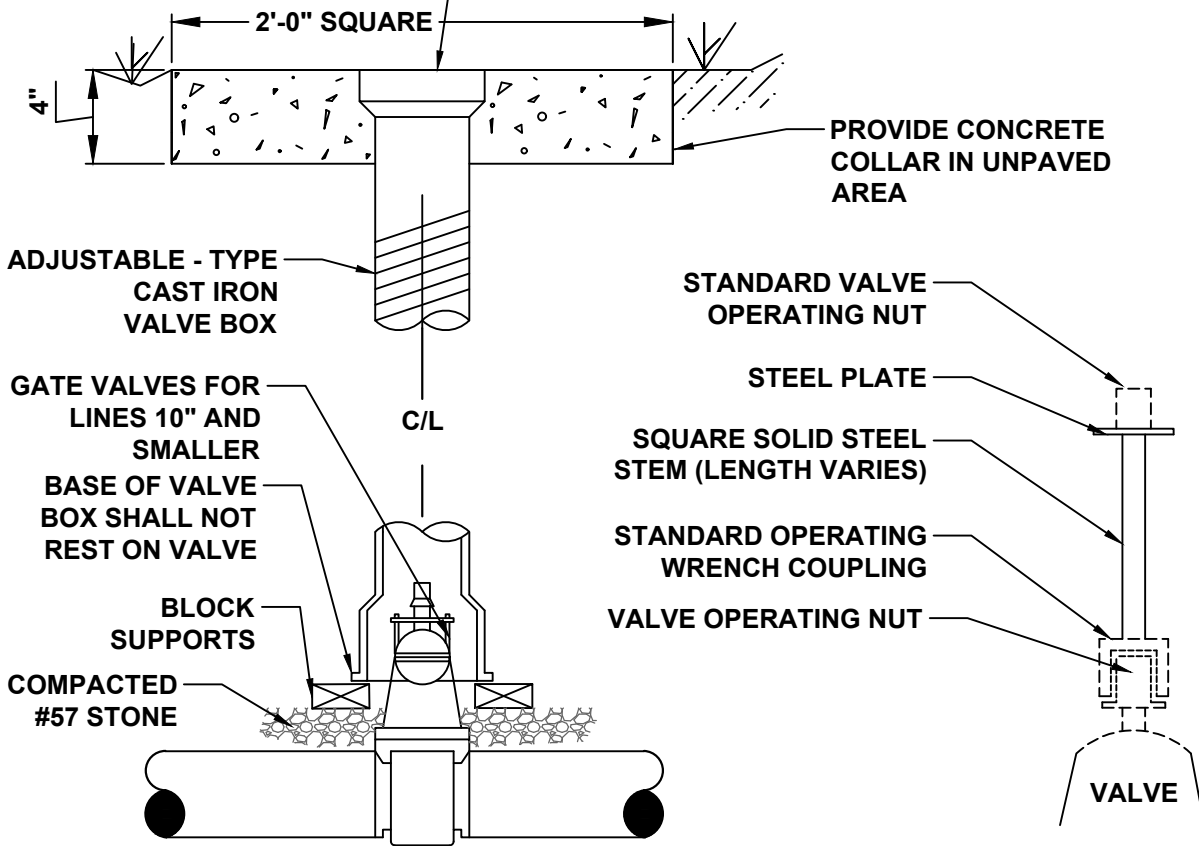


CAST IRON COVER WITH
"WATER" CAST ON TOP



**VALVE STEM EXTENSION
DETAIL**

NOTES:

1. ALL GATE VALVES SHALL HAVE A VALVE BOX.
2. VALVE STEM REQUIRED ON INSTALLATIONS OVER 4' OF DEPTH, BROUGHT TO WITHIN 2' OF FINISHED GRADE.
3. VALVE EXTENSION TO HAVE SET SCREWS.



LATEST REVISION

07/14/2017

CITY OF CUMMING

DEPARTMENT OF UTILITIES

GATE VALVE INSTALLATION DETAIL

10" AND SMALLER

DETAIL NUMBER:

W-6

SCALE: NOT TO SCALE