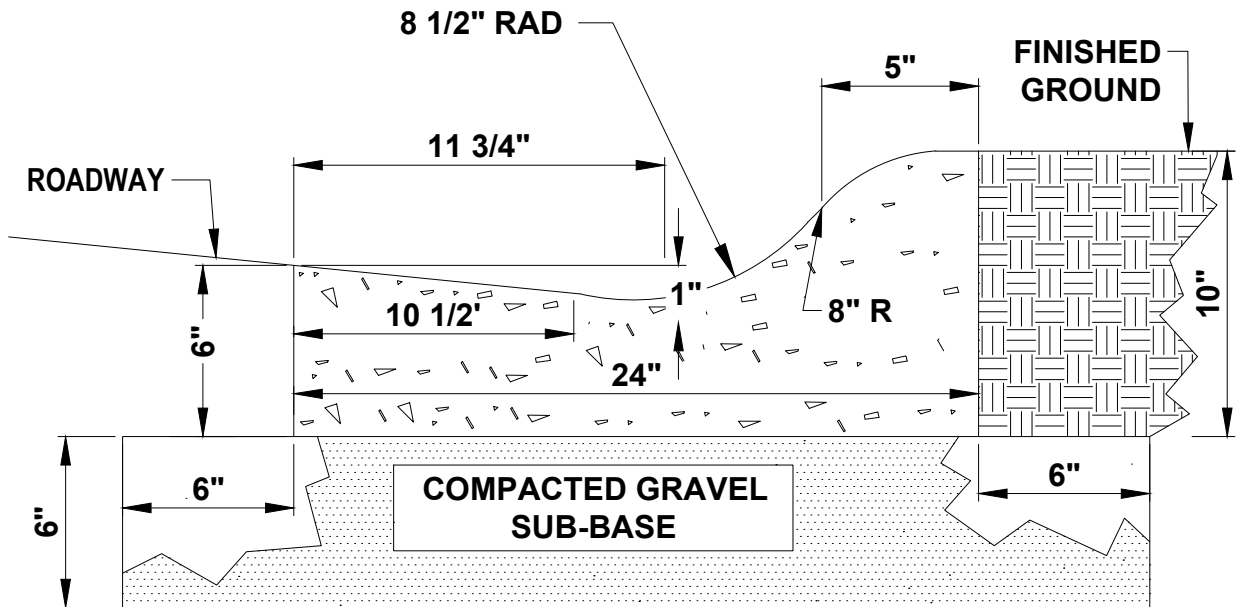


HIGH BACK CURB



ROLL BACK CURB



LATEST REVISION

07/14/2017

CITY OF CUMMING

DEPARTMENT OF UTILITIES

CURB AND GUTTER DETAILS

DETAIL NUMBER:

W-4

SCALE: NOT TO SCALE