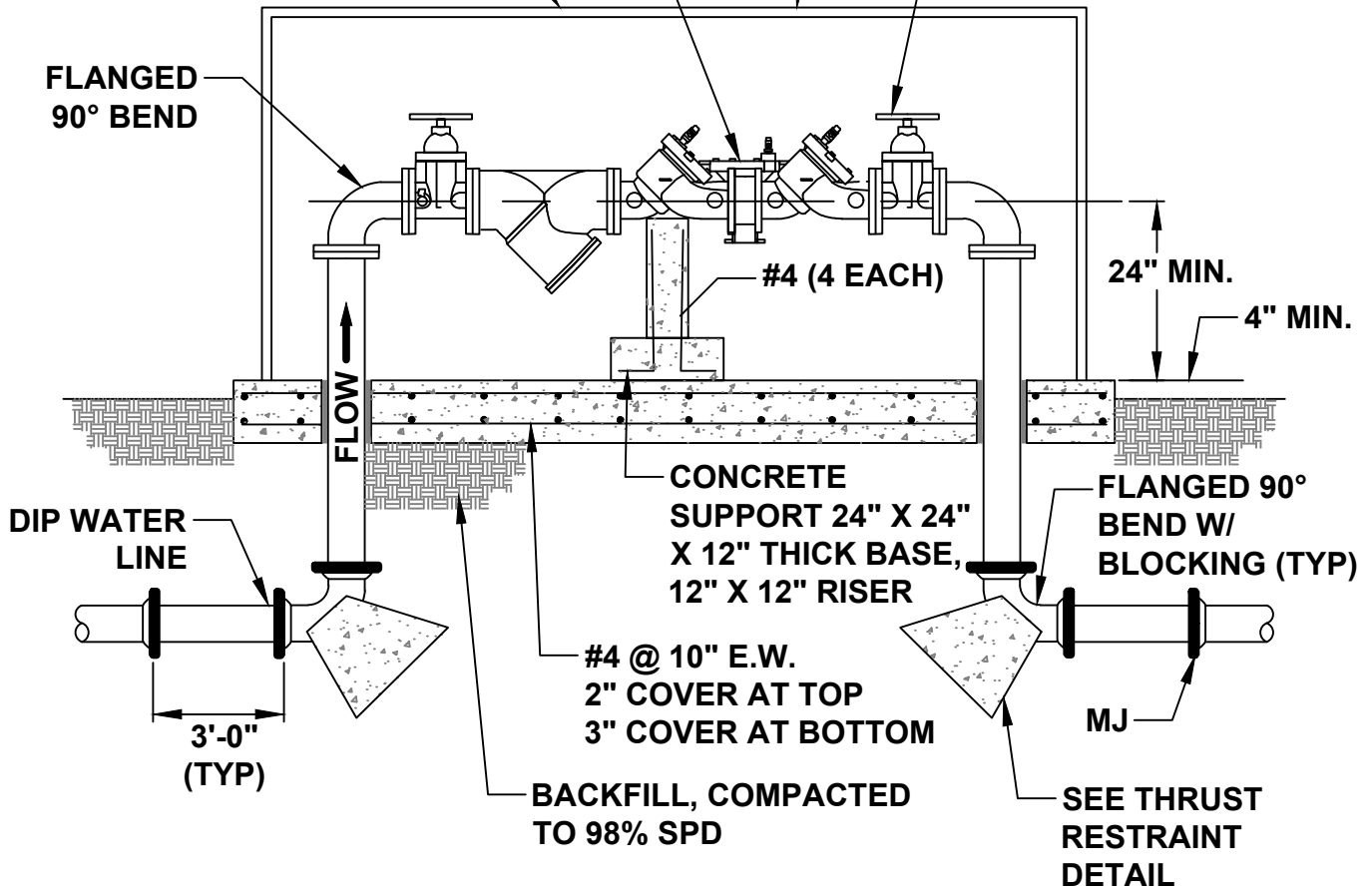


**REDUCED PRESSURE ZONE
BACKFLOW PREVENTER WITH
SHUT-OFF VALVES & STRAINER.**

**COVER BY SAFE-T-COVER,
PER TABLE BELOW OR AT
WWW.SAFE-T-COVER.COM**

**NOTE: HOTBOX MUST BE
PROVIDED WITH POWER
AND MUST BE HEATED**

**O.S. & Y. RISING STEM
GATE VALVE TYP.**



RPZ SIZE	WATTS RPZ MODEL NO.	HOT BOX MODEL	CONCRETE DIM. (LxWxD)
4"	LF909-NRS	400-AL	9'-0" x 3'-0" x 16"
6"	LF909-NRS	600-AL	11'-0" x 4'-0" x 16"
8"	LF909-NRS	800-AL	13'-0" x 4'-0" x 16"
10"	LF909-NRS	1000-AL	16'-0" x 4'-6" x 16"



LATEST REVISION

07/14/2017

CITY OF CUMMING

DEPARTMENT OF UTILITIES

COMMERCIAL / INDUSTRIAL RPZ BACKFLOW PREVENTER

DETAIL NUMBER:

W-31

SCALE: NOT TO SCALE