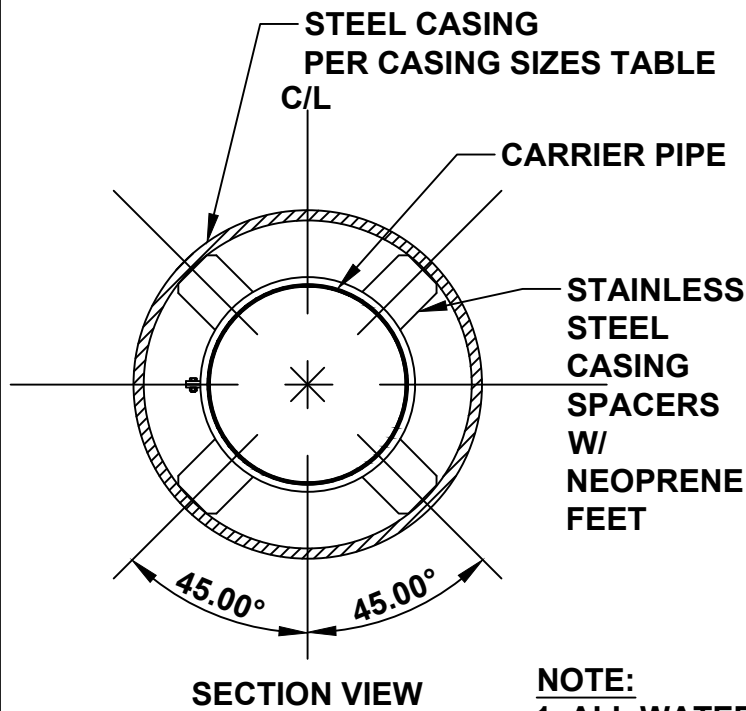


LOCATION REQUIREMENTS



CASING SIZES				
PIPE SIZE	PIPE O.D.	BELL O.D.	CASING O.D.	CASING I.D.
6"	6.3"	9.54"	12"	11.62"
8"	9.05"	11.78"	16"	15.56"
12"	13.20"	16.34"	20"	19.44"
16"	17.40"	20.72"	24"	23.31"
20"	21.60"	25.5"	30"	29.12"
24"	25.80"	30.7"	34"	33.12"

NOTE:
 1. ALL WATER LINES CROSSING INTERSTATE OR LIMITED ACCESS ROADS SHALL BE CASED.



CITY OF CUMMING

DEPARTMENT OF UTILITIES

CASING DETAILS

DETAIL NUMBER:

W-22

LATEST REVISION

07/14/2017

SCALE: NOT TO SCALE