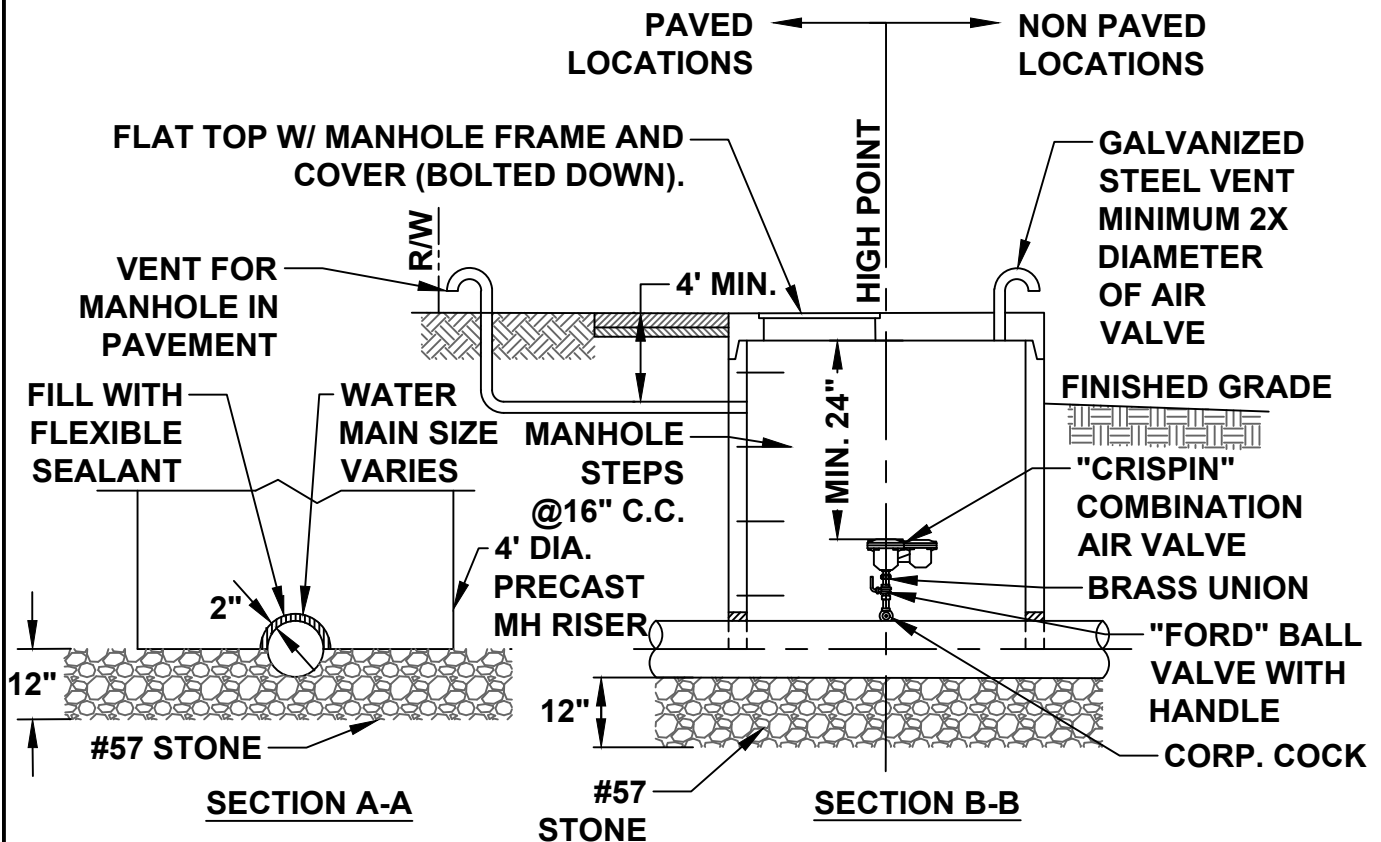
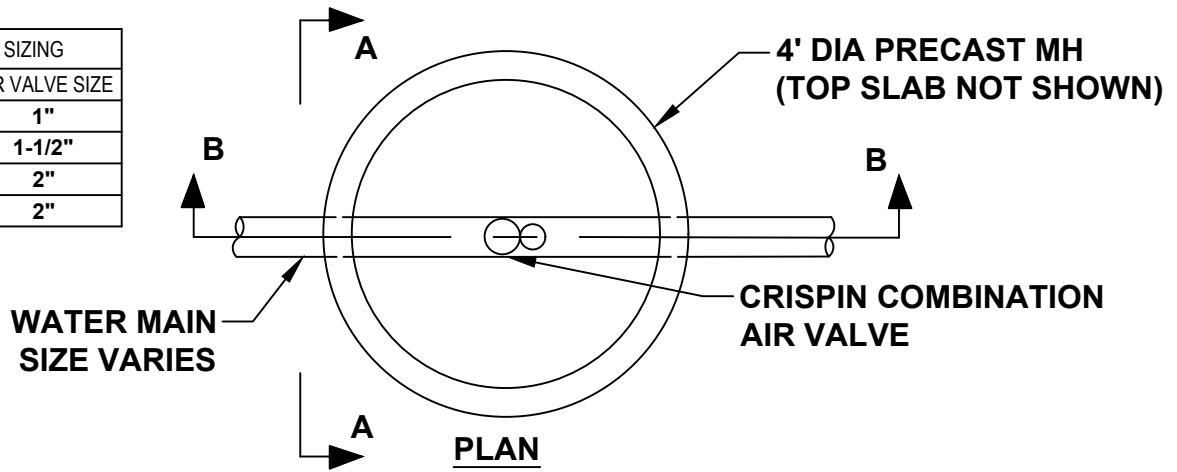


AIR VALVE SIZING	
MAIN SIZE	AIR VALVE SIZE
6" - 12"	1"
14" - 16"	1-1/2"
20" - 30"	2"
36" - 42"	2"



NOTES:

1. ALL NIPPLES TO BE "ALL THREADED" MINIMUM LENGTH.
2. ALL PIPE TO BE RED BRASS.
3. ALL FITTINGS TO BE BRASS.

VALVE MAY NOT BE LOCATED UNDER PAVEMENT WITH MANHOLE IN THE FLOW OF TRAFFIC. IF MANHOLE MUST BE IN PAVEMENT, IT IS TO BE VENTED TO OUT OF THE PAVEMENT AND FLOW OF TRAFFIC.



CITY OF CUMMING

DEPARTMENT OF UTILITIES

AIR VALVE INSTALLATION

DETAIL NUMBER:

W-21

LATEST REVISION

07/14/2017

SCALE: NOT TO SCALE