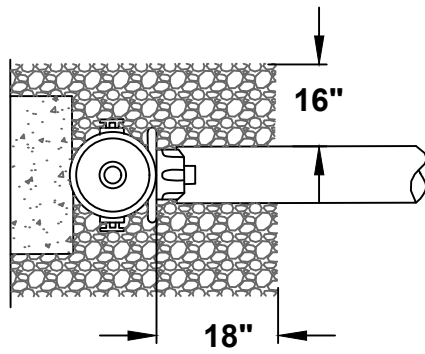


PLACE STONE TO 6" ABOVE WEEP HOLES, 18" BELOW WEEP HOLES AND 18" TOWARDS THE MAIN. ALSO 16" Laterally ON EACH SIDE. COMPACT STONE UNDER HYDRANT.



NOTES

1. FOR ALL WATER MAINS IN COUNTY, STATE, OR FEDERAL R/W'S - MIN. COVER SHALL BE 3' - 0".
2. IF REGULAR TEE USED, MIN. NIPPLE LENGTH SHALL BE 12"

CUMMING UTILITIES

LATEST REVISION
07/14/2017

CITY OF CUMMING
DEPARTMENT OF UTILITIES

FIRE HYDRANT INSTALLATION
GA D.O.T. & COUNTY ROADS

DETAIL NUMBER:
W-19

SCALE: NOT TO SCALE