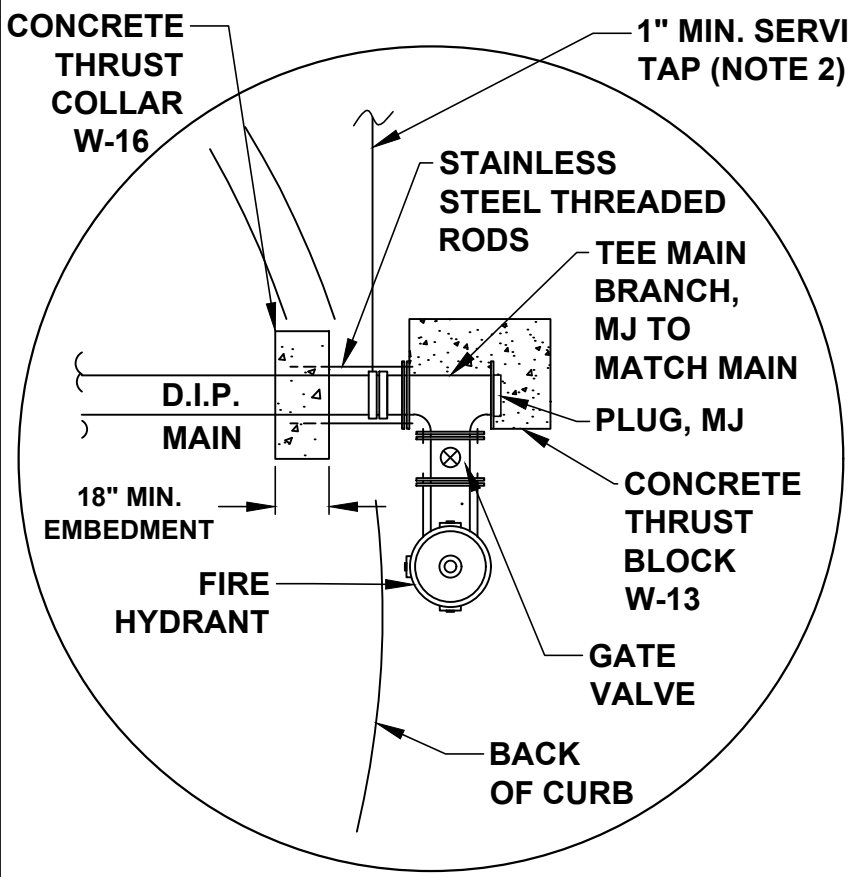


PLAN



DETAIL "A"

- NOTES:**
1. LOCATE FIRE HYDRANT WITHIN 5' FROM CURB.
 2. PROVIDE DOUBLE STRAP TAPPING SADDLES FOR SERVICE STUBS ON BOTH SIDES OF CONNECTION.
 3. FIRE HYDRANT, VALVE, TEE & THRUST BLOCK TO BE WITHIN 5' OF CURB.

CUMMING UTILITIES

LATEST REVISION

07/14/2017

CITY OF CUMMING

DEPARTMENT OF UTILITIES

WATER MAIN TERMINATION

SUBDIVISIONS ONLY

DETAIL NUMBER:

W-12

SCALE: NOT TO SCALE