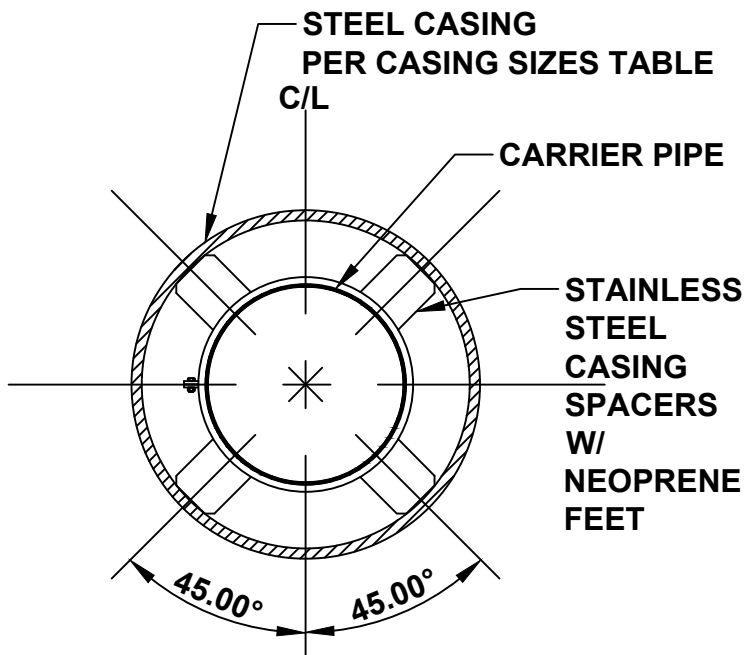


LOCATION REQUIREMENTS



SECTION VIEW

CASING SIZES				
PIPE SIZE	PIPE O.D.	BELL O.D.	CASING O.D.	CASING I.D.
6"	6.3"	9.54"	12"	11.62"
8"	9.05"	11.78"	16"	15.56"
12"	13.20"	16.34"	20"	19.44"
16"	17.40"	20.72"	24"	23.31"
20"	21.60"	25.5"	30"	29.12"
24"	25.80"	30.7"	34"	33.12"

NOTE:

1. ALL SEWER LINES CROSSING INTERSTATE OR LIMITED ACCESS ROADS SHALL BE CASED.



LATEST REVISION

07/14/2017

CITY OF CUMMING

DEPARTMENT OF UTILITIES

CASING DETAIL

DETAIL NUMBER:

S-15

SCALE: NOT TO SCALE