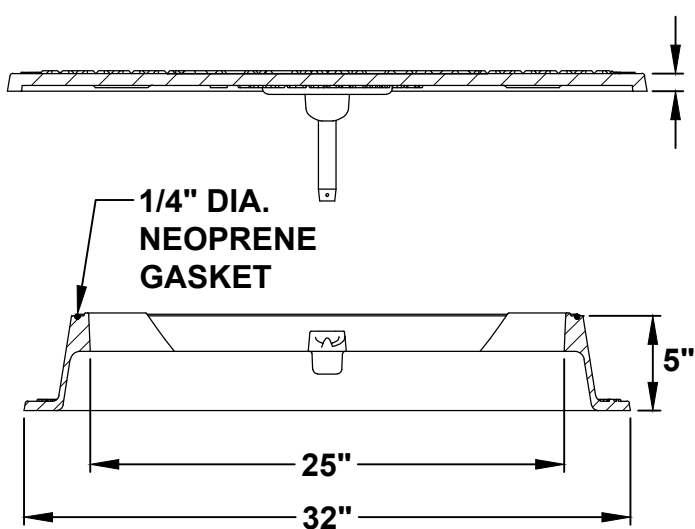


**SECTION B-B**



**SECTION A-A**

- NOTES:**
1. ROTATING TYPE COVERS SHALL ONLY BE USED IN NON-TRAFFIC AREAS AND/OR WHEN DEPTH OF GRADE TO RIM EXCEEDS 24".
  - 2) TRAFFIC RATED AREAS TO USE DETAIL S-12.
  3. BOLTS AND ROTATING PIN/BOLT SHALL BE STAINLESS STEEL.
  4. WATER TIGHT APPLICATION SHALL BE USED IN FLOOD PLAIN AREAS.



LATEST REVISION  
07/14/2017

**CITY OF CUMMING**

DEPARTMENT OF UTILITIES

**MANHOLE FRAME AND ROTATING COVER NON-TRAFFIC RATED**

DETAIL NUMBER:

**S-13**

SCALE: NOT TO SCALE