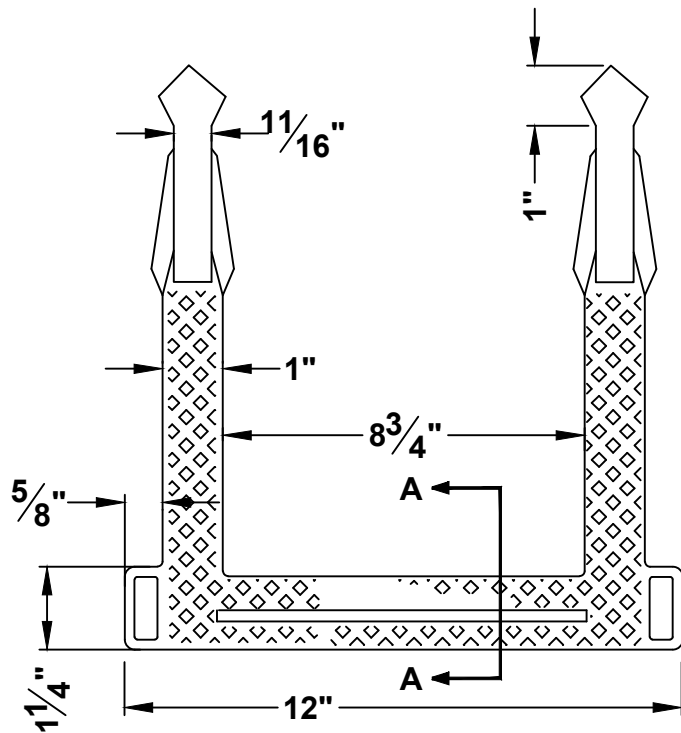
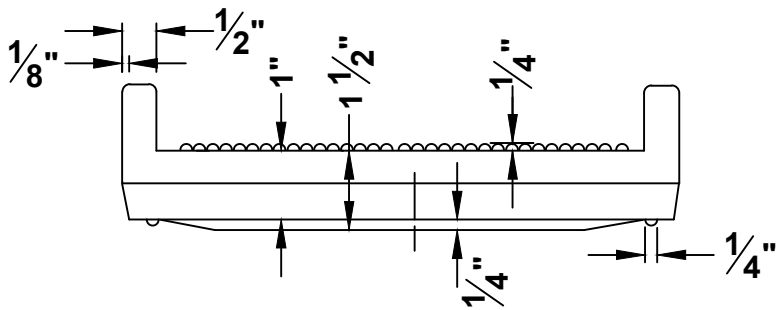


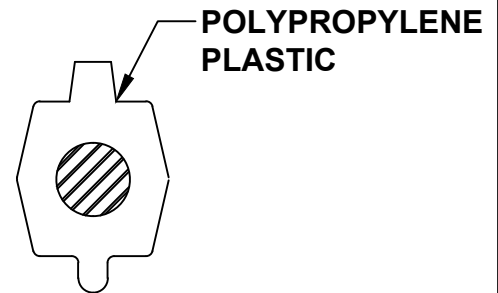
**SIDE VIEW  
COMPOSITE**



**PLAN**



**ELEVATION**



**SECTION A-A**

**NOTES:**

1. STEPS DIFFERING IN DIMENSIONS, CONFIGURATION, OR MATERIALS FROM THOSE SHOWN MAY ALSO BE USED PROVIDED THE CONTRACTOR HAS FURNISHED DETAILS OF THE PROPOSED STEPS AND HAS RECEIVED WRITTEN APPROVAL FROM THE CITY
2. ALL STEPS SHALL PROTRUDE 4" FROM INSIDE FACE OF STRUCTURE WALL.



**CITY OF CUMMING**

DEPARTMENT OF UTILITIES

**MANHOLE STEPS**

DETAIL NUMBER:

**S-10**

LATEST REVISION

07/14/2017

SCALE: NOT TO SCALE