

INLET:

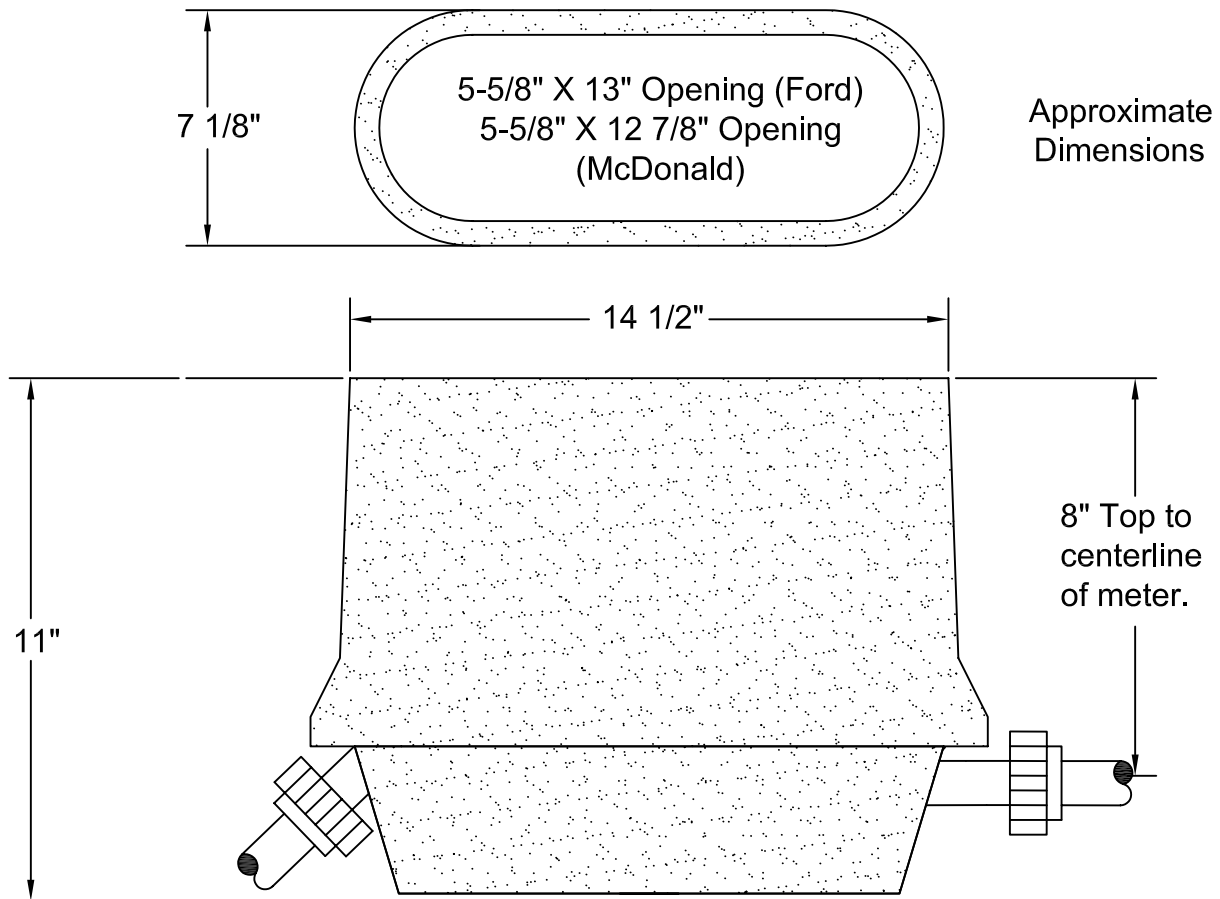
1. 1" cts angle "locking type" ball valve with Ford Pack Joint or McDonald Mac-Pac compression fittings for single meter service lines.
2. 3/4" cts angle "locking type" ball valve with Ford Pack Joint or McDonald Mac-Pac compression fittings for dual meter service lines.

NOTE: Dual meter service lines use a ball valve & "Y" fitting with 1" inlet x two 3/4" outlets.

OUTLET:

1. All outlets will be 3/4" iron pipe threads.
2. A 3/4" brass nipple and brass 3/4" gate valve are to be installed at the outlet of the meter box.

NOTE: All boxes must have locking lids with a 1 27/32" diameter hole.




Accepted Brands: A.Y. McDonald Manufacturing Company Longboxes or Ford Long Yokeboxes.

REVISIONS

City of Cumming
Department of Utilities - Distribution and Collection Division

5/8" x 3/4" CAST IRON METER BOX
WITH ANGLE BALL VALVE INLET X
STRAIGHT OUTLET



W-56