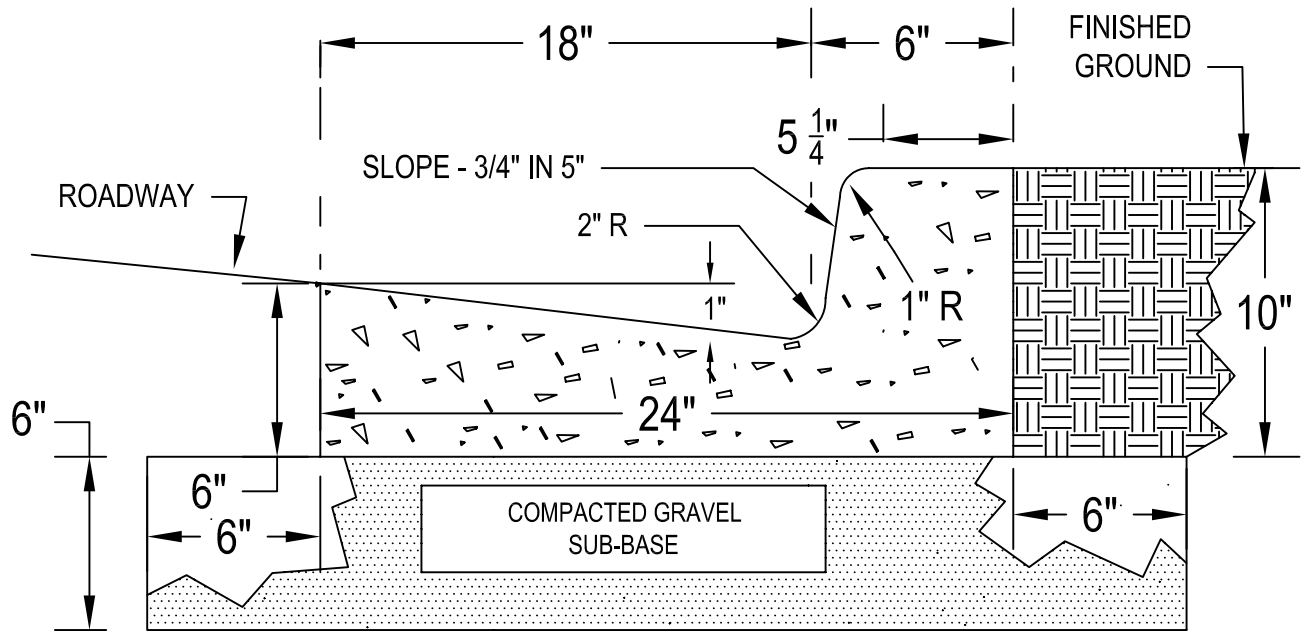
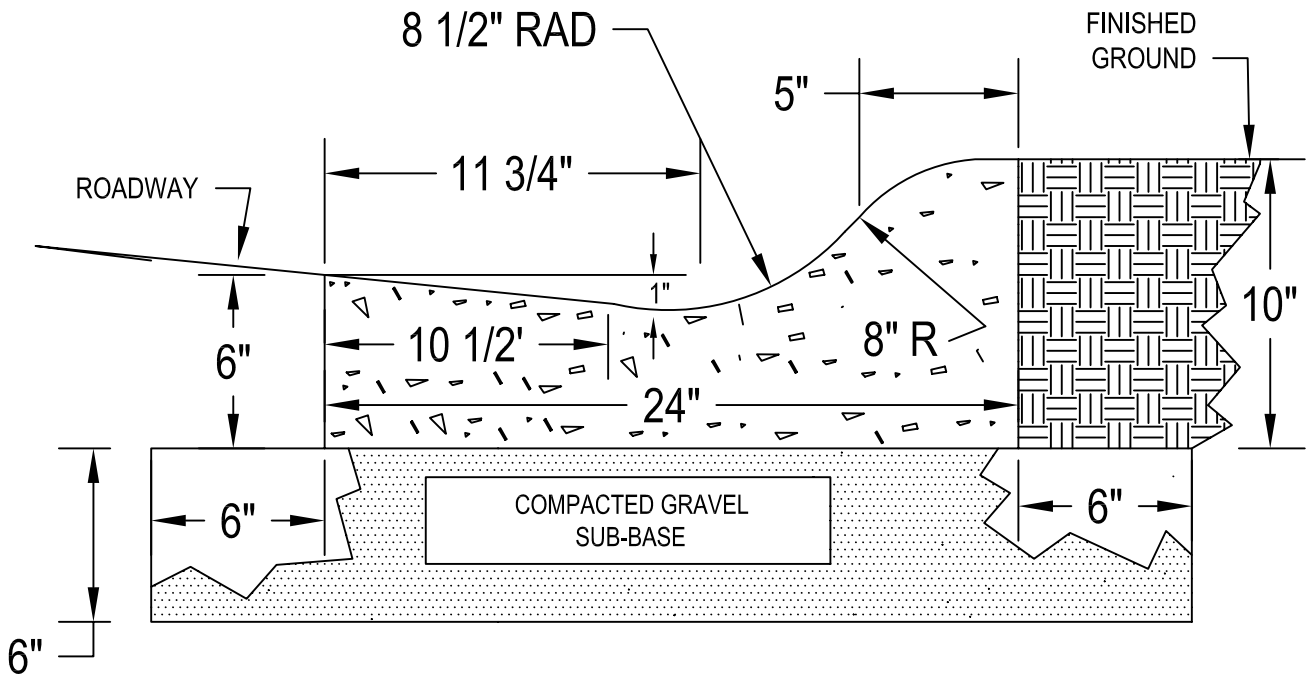


TYPICAL HIGH BACK CURB AND GUTTER



TYPICAL ROLL CURB AND GUTTER



REVISIONS

City of Cumming

Department of Utilities - Distribution and Collection Division

**TYPICAL HIGH BACK AND ROLL CURB
AND GUTTER INSTALLATION DETAILS**



W-4