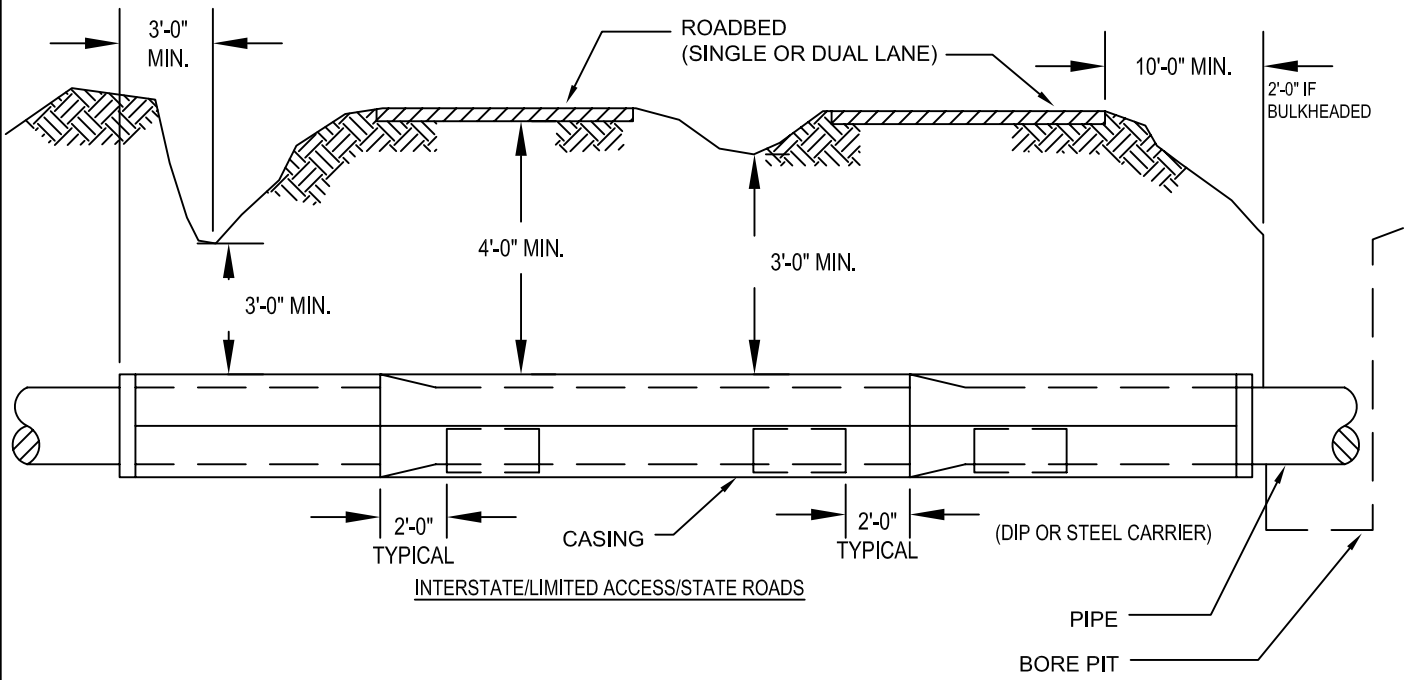
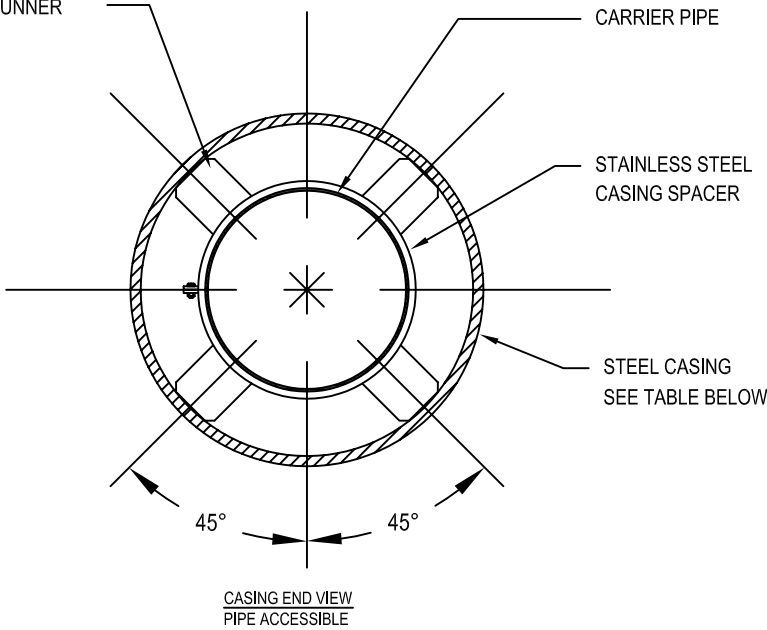


MANUFACTURED NEOPRENE CASING SPACERS ARE PREFERRED
 THE UTILITY INSPECTOR WILL NEED TO APPROVE THE CASING SPACERS PRIOR TO INSTALLATION.



POLYETHELENE BEARING RUNNER



BORED CASINGS			
PIPE SIZE	PIPE O.D.	CASING SIZE	CASING I.D.
6"	6.30"	12"	11.376"
8"	9.05"	16"	14.314"
12"	13.20"	20"	17.938"
16"	17.40"	24"	21.564"
20"	21.60"	28"	27.0"
24"	25.80"	32"	31.0"

NOTE: IF CASING UNDER RAILROAD IS NOT COATED OR CATHODICALLY PROTECTED, INCREASE THICKNESS .062".

REVISIONS

City of Cumming
 Department of Utilities - Distribution and Collection Division



**CASING/PIPE
 SUPPORT INSTALLATION**

W-40