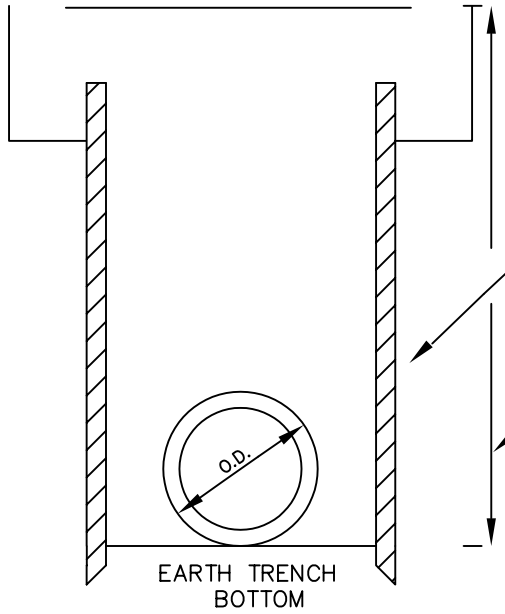
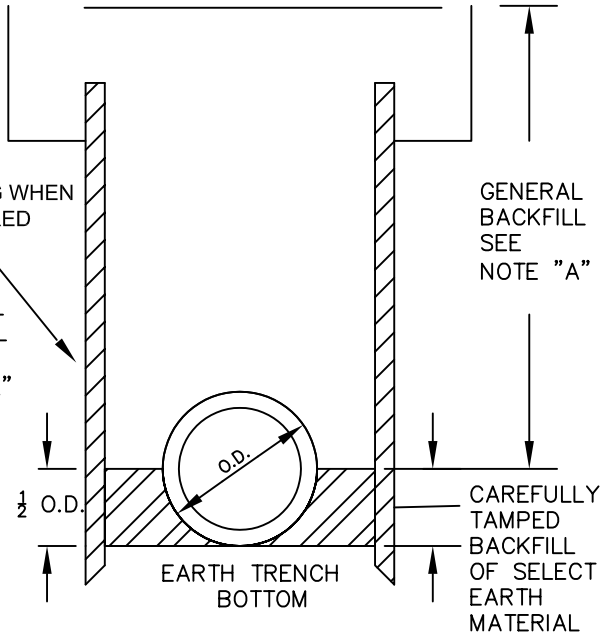


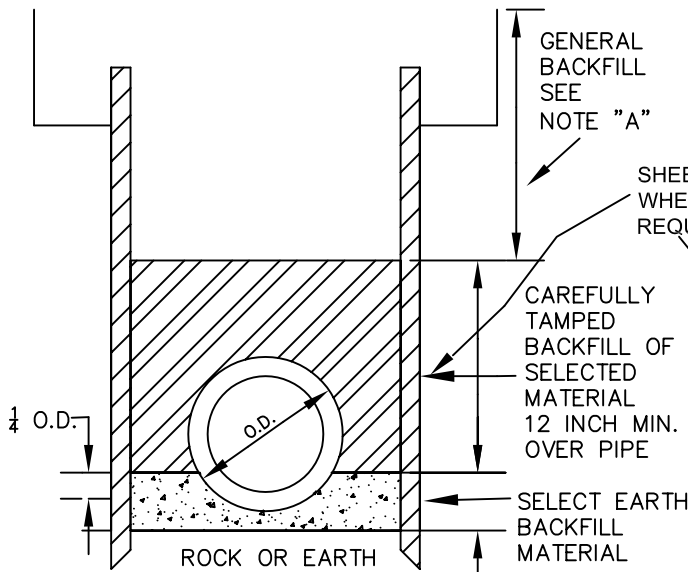
TYPE I BEDDING



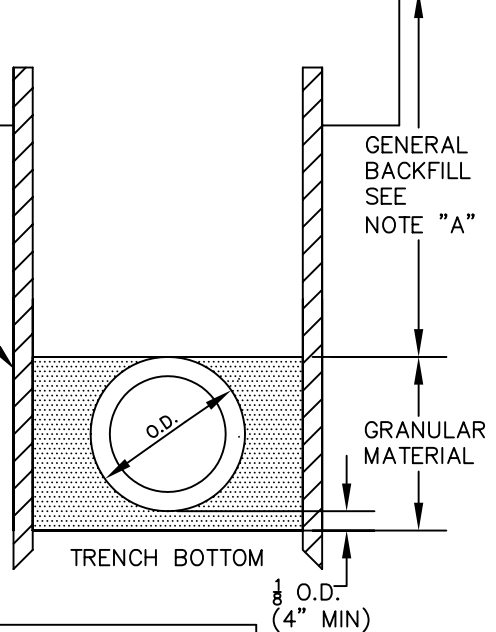
TYPE II BEDDING



TYPE III BEDDING



TYPE V BEDDING



NOTES:

- A. BACKFILL TO BE PLACED AT 4 IN TO 12 IN LAYERS AND TAMPED PROPERLY, IN ACCORDANCE WITH AWWA C600 (LATEST REVISION).
- B. TYPE IV BEDDING EQUALS TYPE III BEDDING EXCEPT BACKFILL BELOW THE PIPE.

REVISIONS

City of Cumming
 Department of Utilities - Distribution and Collection Division
TYPICAL BEDDING FOR WATER MAINS

