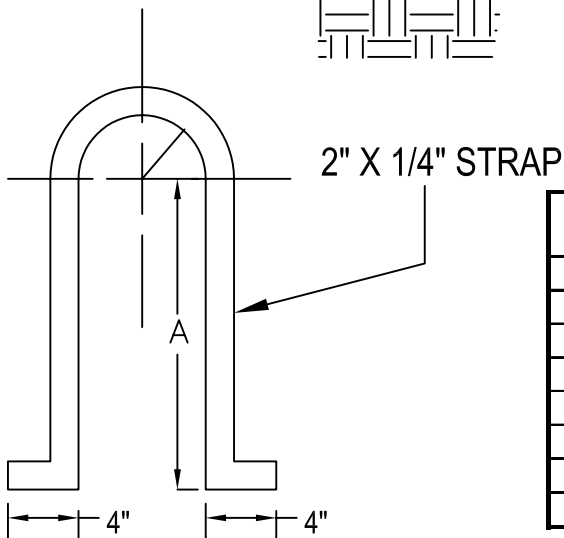


SEE DRAWING  
W-27 FOR  
BLOCK  
DIMENSIONS



SIZE	A	R	LENGTH OF STRAP
6"	1' - 11 1/2"	3 1/2"	5' - 4 1/2"
8"	1' - 11 7/8"	4 21/32"	5' - 10 1/4"
10"	2' - 1"	5 45/64"	6' - 4"
12"	2' - 2"	6 3/4"	6' - 9 3/4"
14"	2' - 3 3/8"	7 21/16"	7' - 3"
16"	2' - 4 3/4"	8 3/4"	7' - 8 1/2"
20"	2' - 6"	10 3/4"	8' - 8"
24"	2' - 9 1/2"	12 7/8"	9' - 7 1/2"

REVISIONS

**City of Cumming**  
 Department of Utilities - Distribution and Collection Division



**THRUST RESTRAINT**  
**UPWARD THRUST**

**W-26**