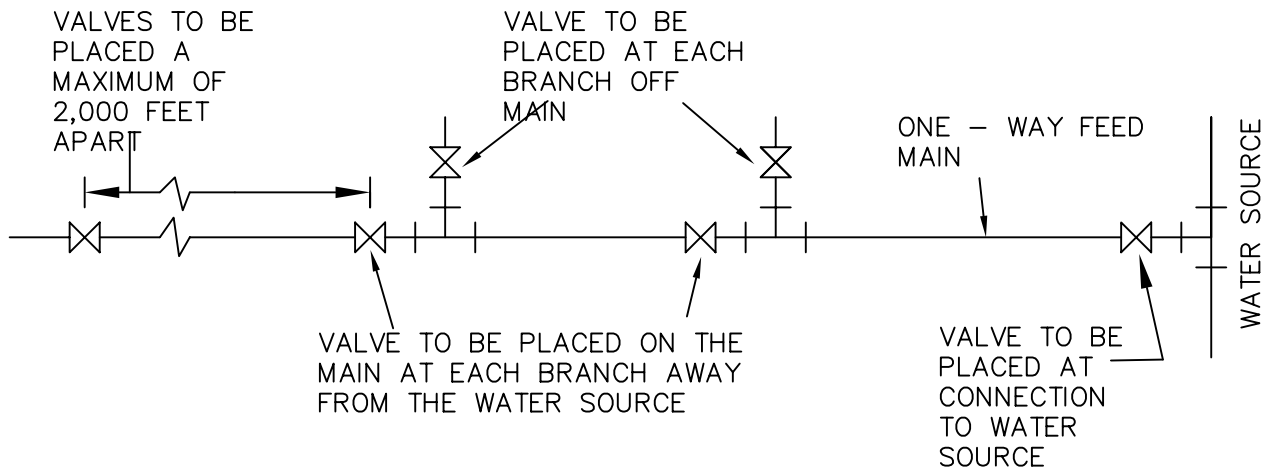


VALVE LOCATION WHEN WATER LINE IS TO BE LOOPED



VALVE LOCATION WHEN WATER LINE IS NOT TO BE LOOPED

REVISIONS

**City of Cumming**  
 Department of Utilities - Distribution and Collection Division



**TYPICAL VALVE LOCATION**