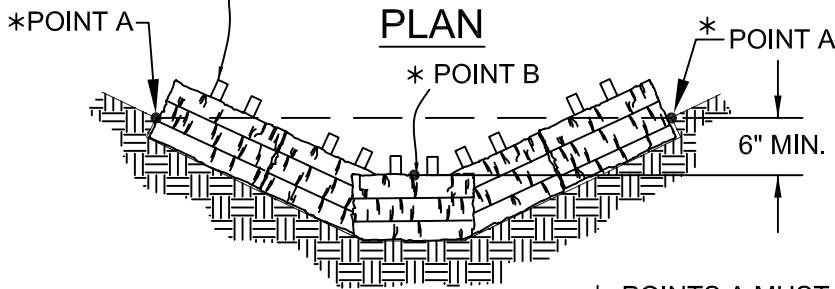
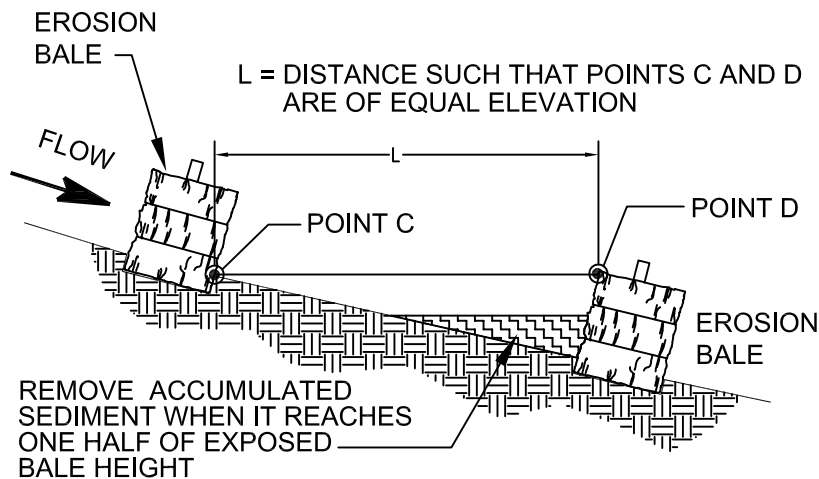


EROSION BALE TRENCHING AND STAKING (TYP)

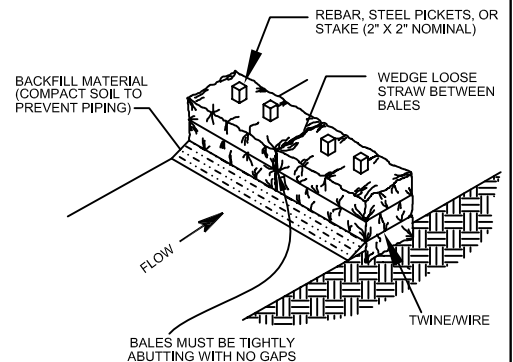


* POINTS A MUST BE HIGHER THAN POINT B

SECTION A-A



CHANNEL PROFILE SPACING BETWEEN EROSION BALES



NOTE: SEDIMENT REMOVAL SHALL BE PERFORMED CONTINUOUSLY FOR PROPER FUNCTION.

REVISIONS

City of Cumming
 Department of Utilities - Distribution and Collection Division



SEDIMENT BARRIER EROSION CONTROL - HAY BALE

S-18