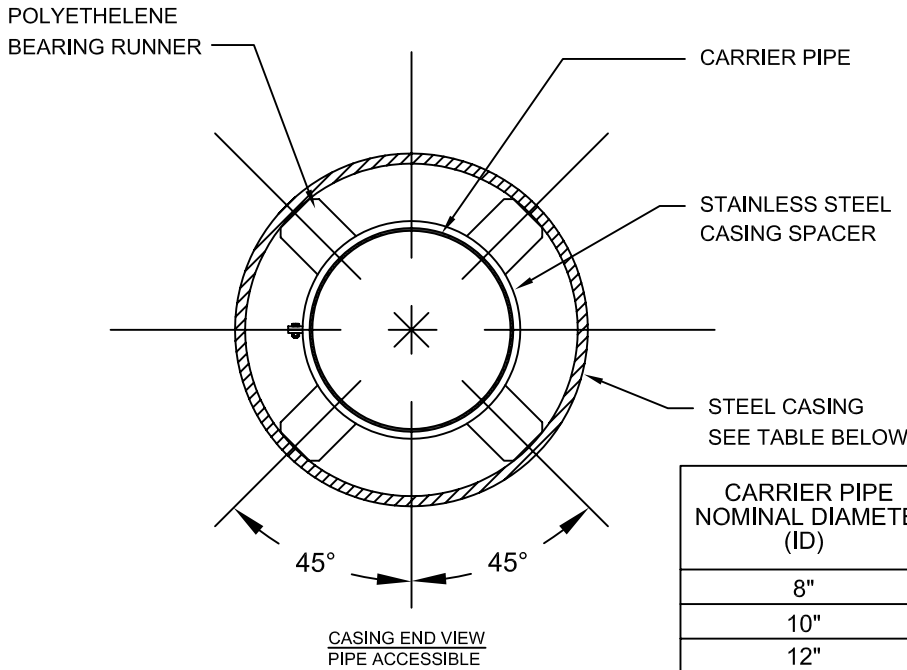
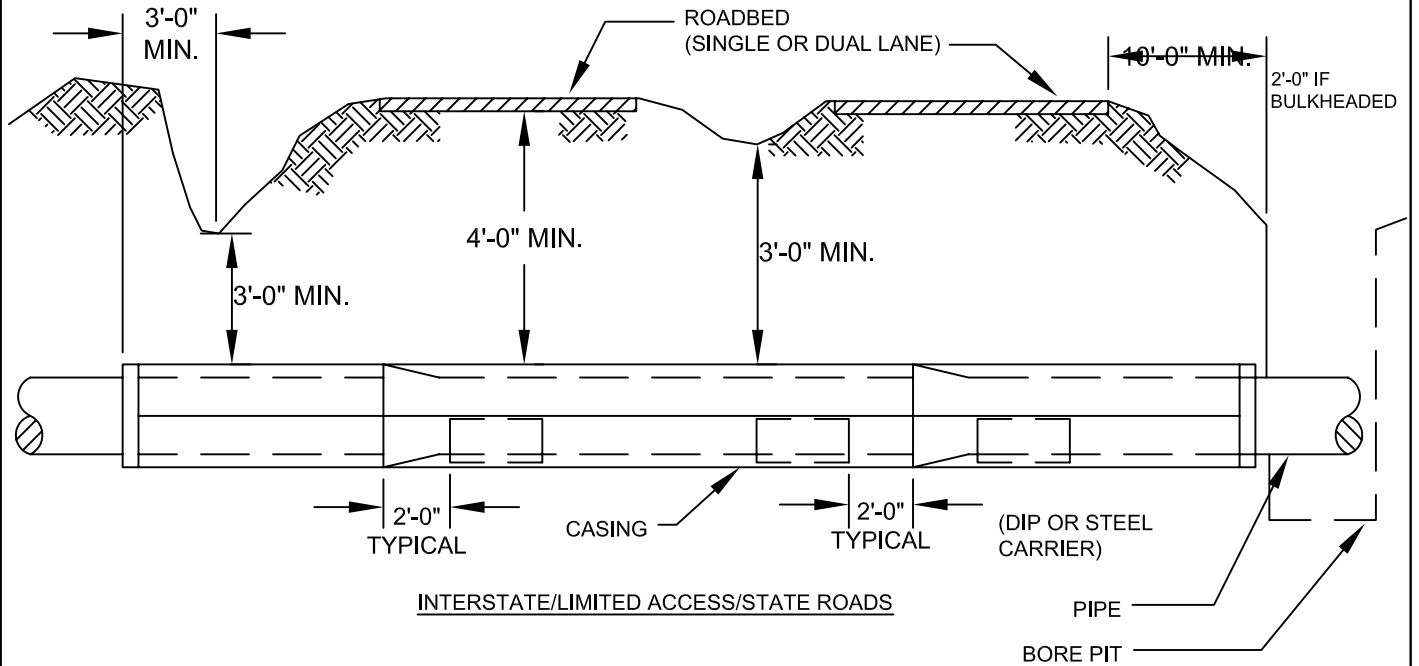


MANUFACTURED NEOPRENE CASING SPACERS ARE PREFERRED  
THE UTILITY INSPECTOR WILL NEED TO APPROVE THE CASING SPACERS PRIOR TO INSTALLATION.



CARRIER PIPE NOMINAL DIAMETER (ID)	MINIMUM CASING PIPE DIAMETER (OD)
8"	16"
10"	18"
12"	20"
15" OR 16"	28"
18"	30"
24"	36"
30"	48"

REVISIONS

**City of Cumming**  
 Department of Utilities - Distribution and Collection Division

**CASING/PIPE SUPPORT INSTALLATION**

**S-15**