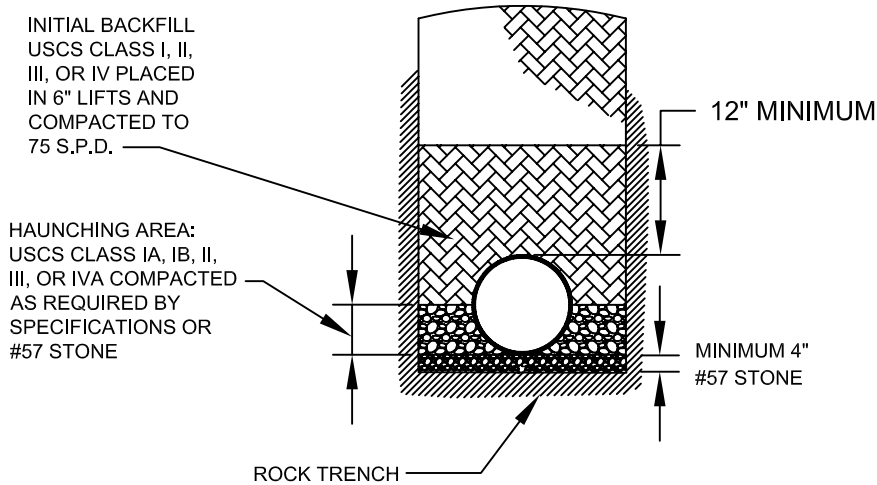


NOTE:
BEDDING FOR PVC PIPE SHALL BE IN
ACCORDANCE WITH ASTM D2321

BEDDING FOR PVC PIPE

N.T.S.



BEDDING FOR PVC PIPE IN ROCK

N.T.S.

REVISIONS
9-22-06
3-13-07
5-21-07

City of Cumming
Department of Utilities - Distribution and Collection Division



BEDDING DETAILS FOR PVC PIPE

S-14