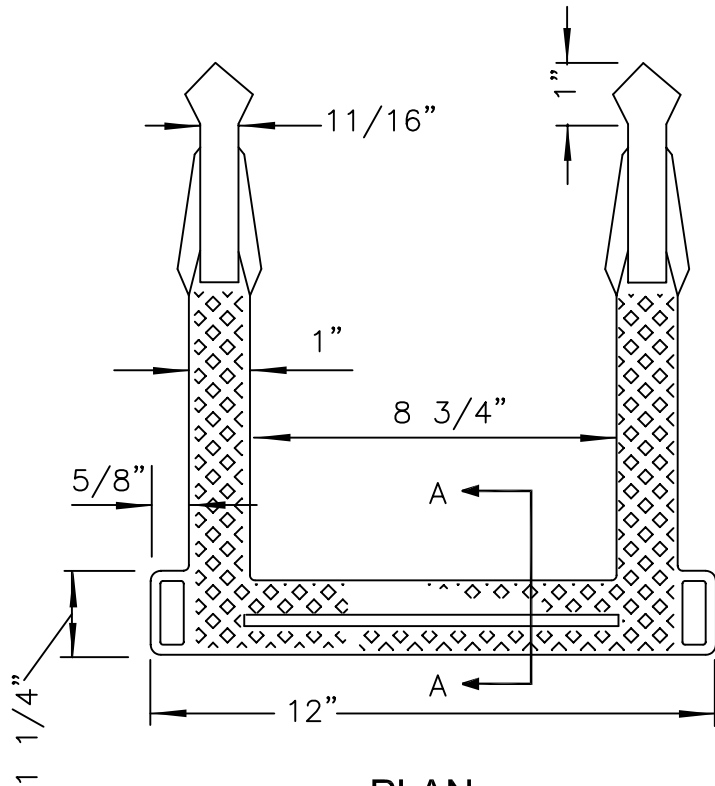
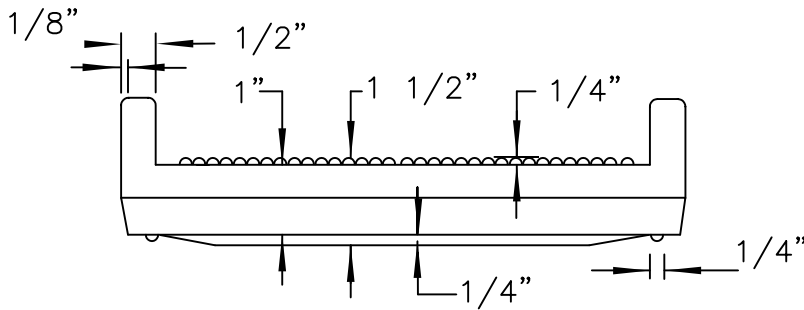


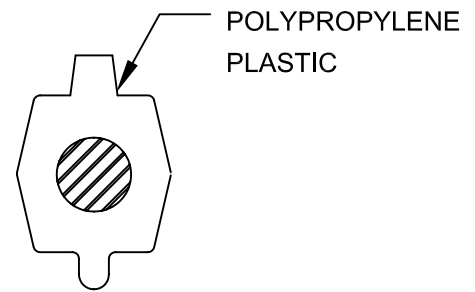
**SIDE VIEW**  
COMPOSITE



**PLAN**



**ELEVATION**



**SECTION A-A**

**NOTES:**

1. STEPS DIFFERING IN DIMENSIONS, CONFIGURATION, OR MATERIALS FROM THOSE SHOWN MAY ALSO BE USED PROVIDED THE CONTRACTOR HAS FURNISHED DETAILS OF THE PROPOSED STEPS AND HAS RECEIVED WRITTEN APPROVAL FROM THE CITY
2. ALL STEPS SHALL PROTRUDE 4" FROM INSIDE FACE OF STRUCTURE WALL.

REVISIONS

**City of Cumming**  
Department of Utilities - Distribution and Collection Division

**STANDARD MANHOLE STEPS**



**S-10**