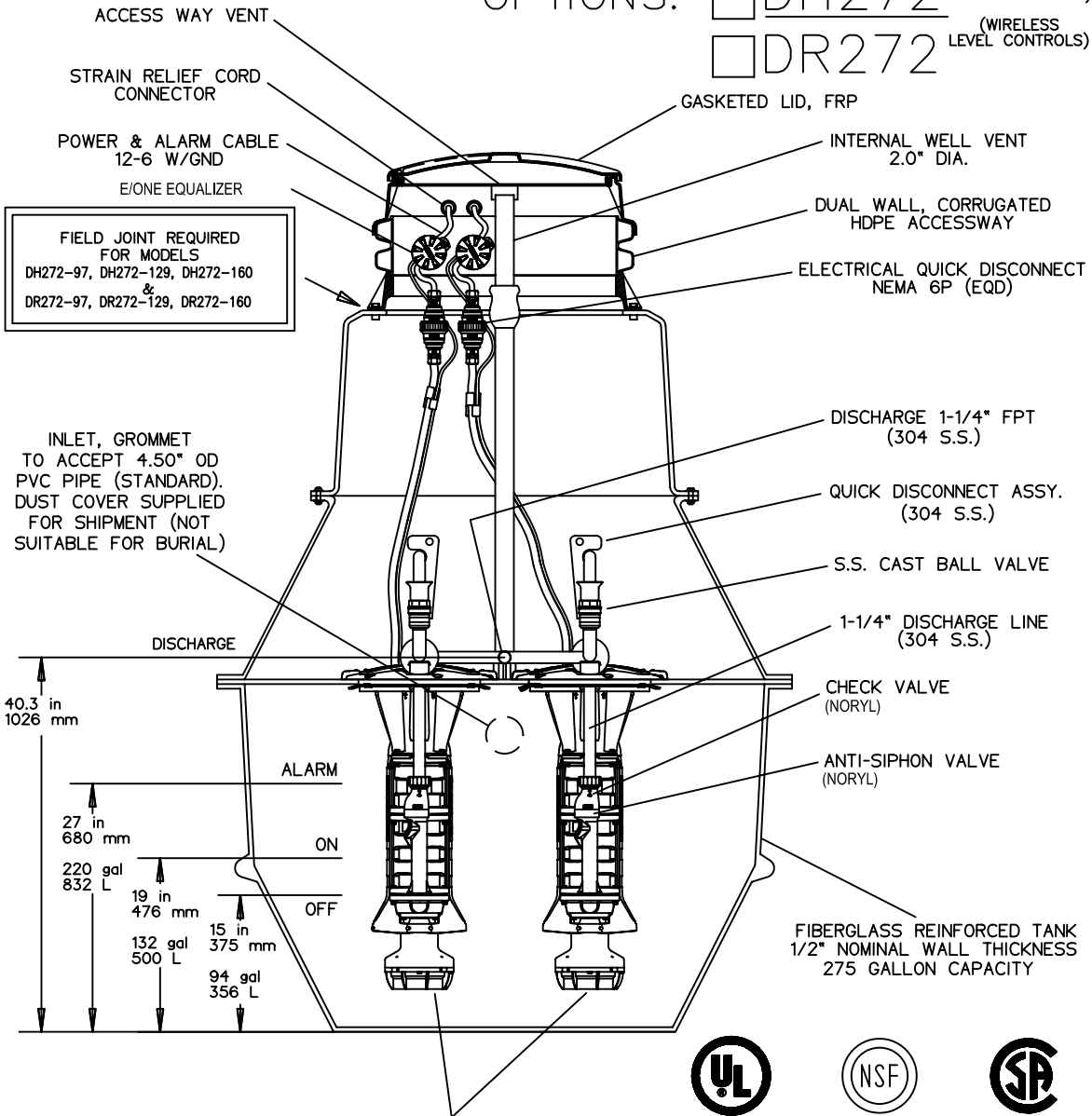
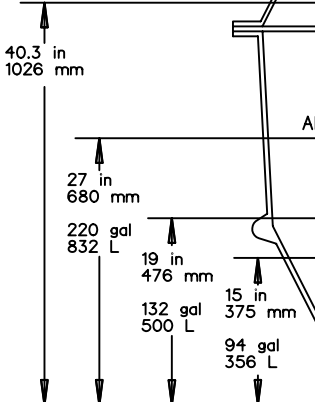


OPTIONS: DH272 (HARD WIRED LEVEL CONTROLS)
 DR272 (WIRELESS LEVEL CONTROLS)



FIELD JOINT REQUIRED FOR MODELS
 DH272-97, DH272-129, DH272-160
 &
 DR272-97, DR272-129, DR272-160

INLET, GROMMET TO ACCEPT 4.50\"/>



SEMI-POSITIVE DISPLACEMENT TYPE PUMP. EACH DIRECTLY DRIVEN BY A 1 HP MOTOR

CONCRETE BALLAST MAY BE REQUIRED SEE INSTALLATION INSTRUCTIONS FOR DETAILS



AD	CH	07/13/07 A		
DR BY	CHK'D	DATE	ISSUE	SCALE

eone

SEWER SYSTEMS
 MODEL DH272 / DR272
 DETAIL SHEET

NA0053P02

REVISIONS

City of Cumming
 Department of Utilities - Distribution and Collection Division



**TYPICAL DUPLEX GRINDER PUMP
 DETAIL**

S-27